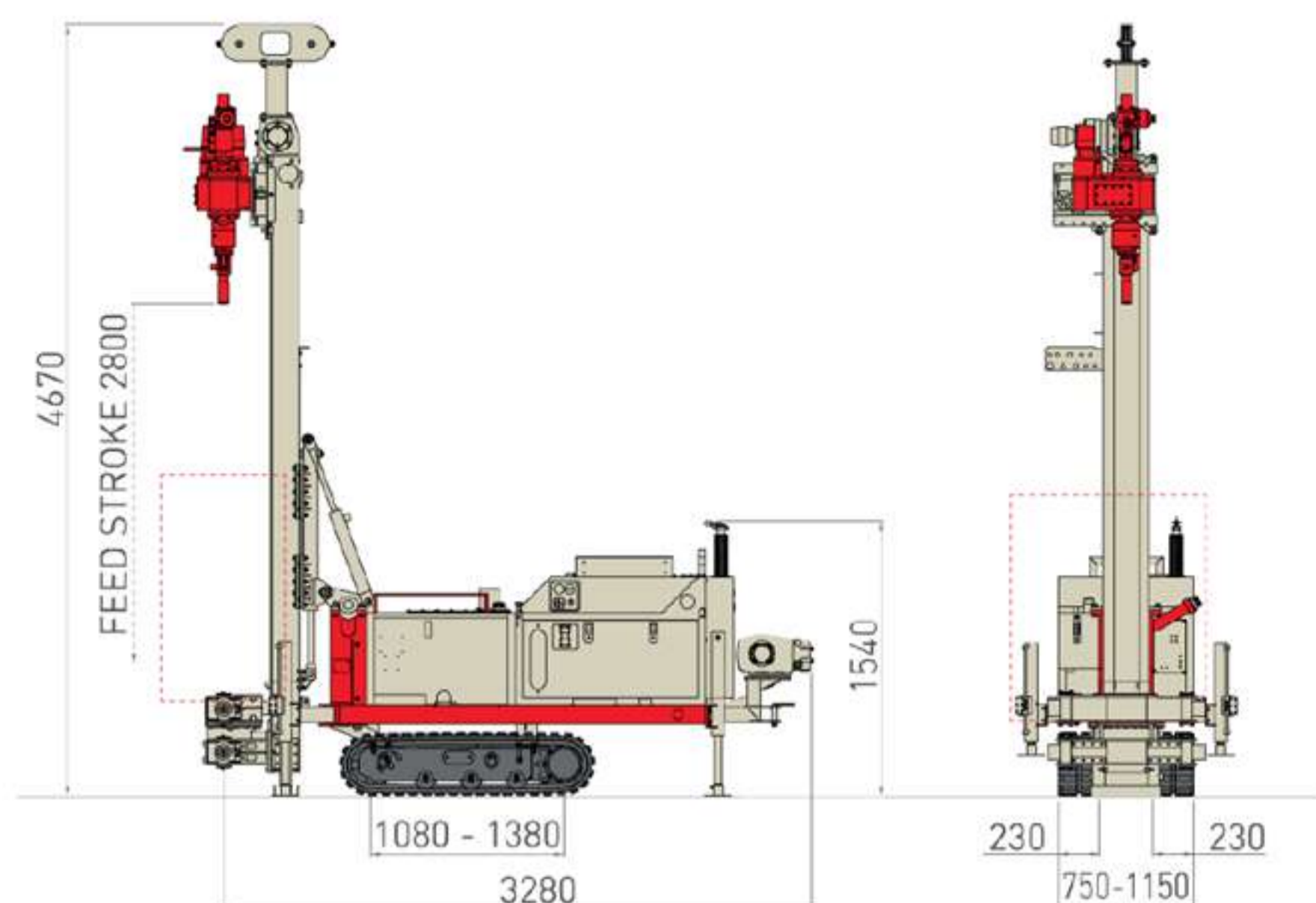


Comacchio GEO

205



The **Comacchio GEO 205** has become the industry standard for a dual-purpose rotary drilling rig. It's versatility is due to it's ability to swiftly alternative between dynamic sampling and rotary coring, whilst being both compact and nimble enough to work in the smallest of spaces on rubber tracks, such as basements and undercroft parking areas.

In line with it's bigger siblings; the 305, 405 and 602, the 205 can undertake a variety of techniques and insitu tests, including:

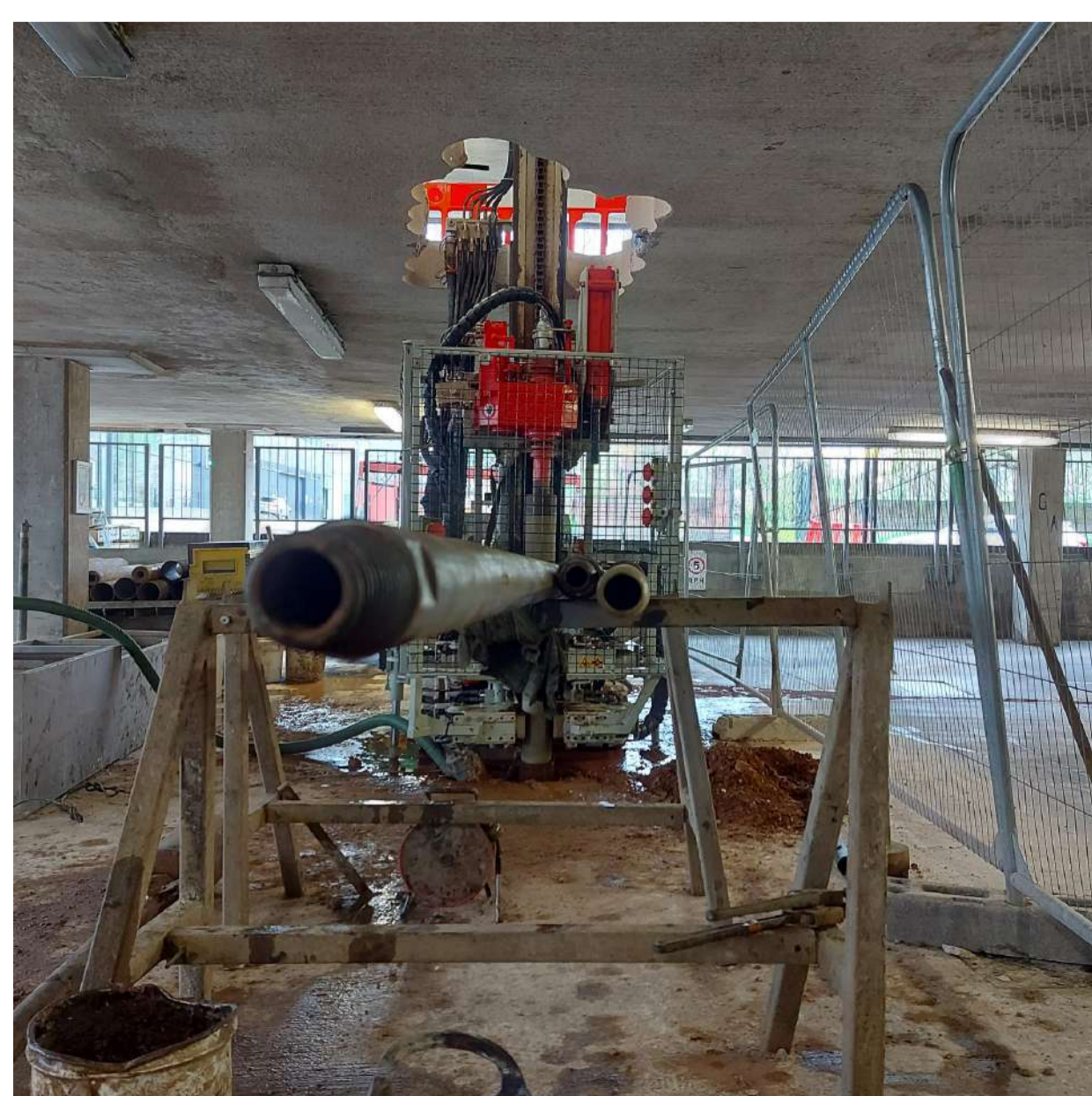
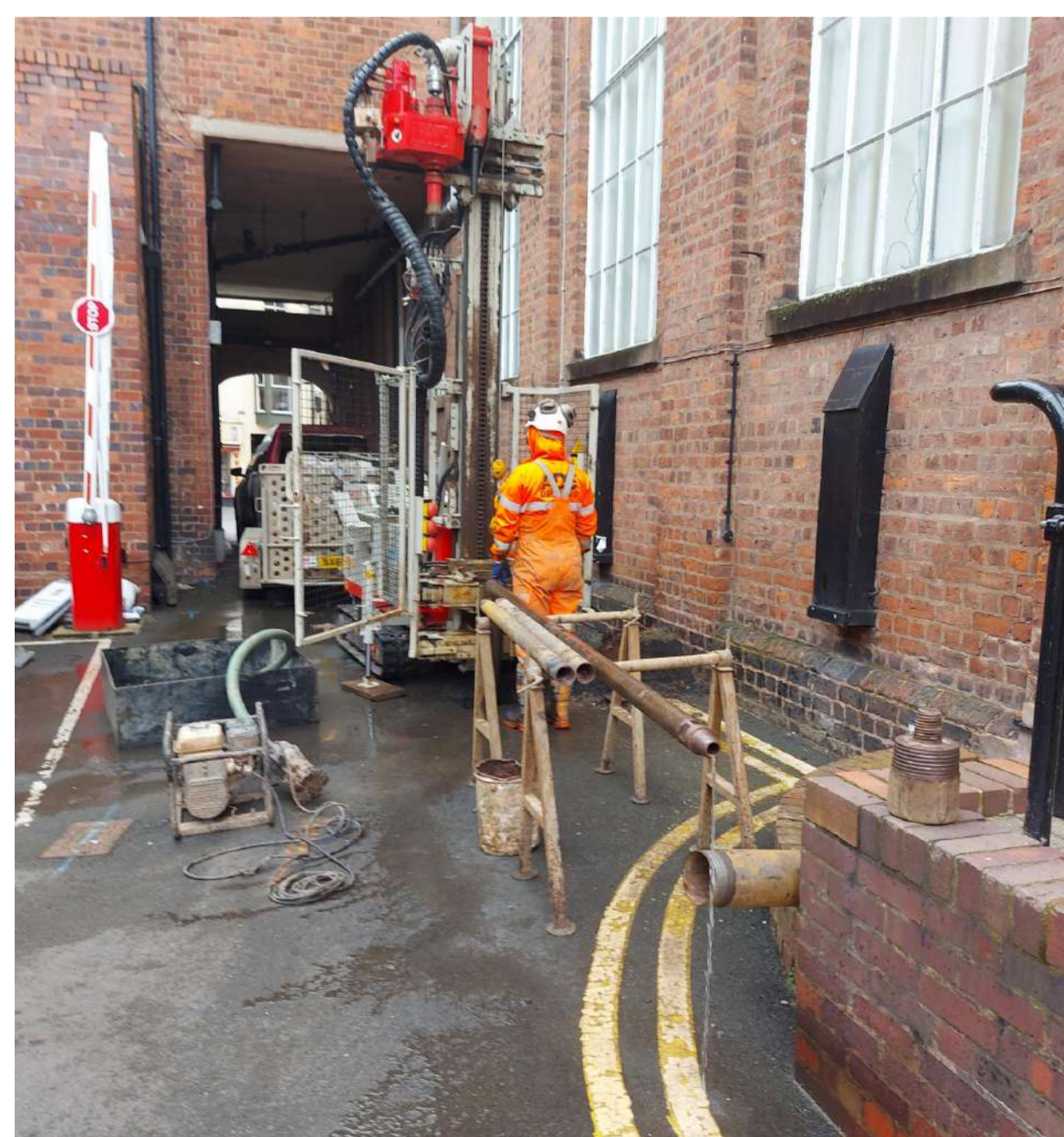
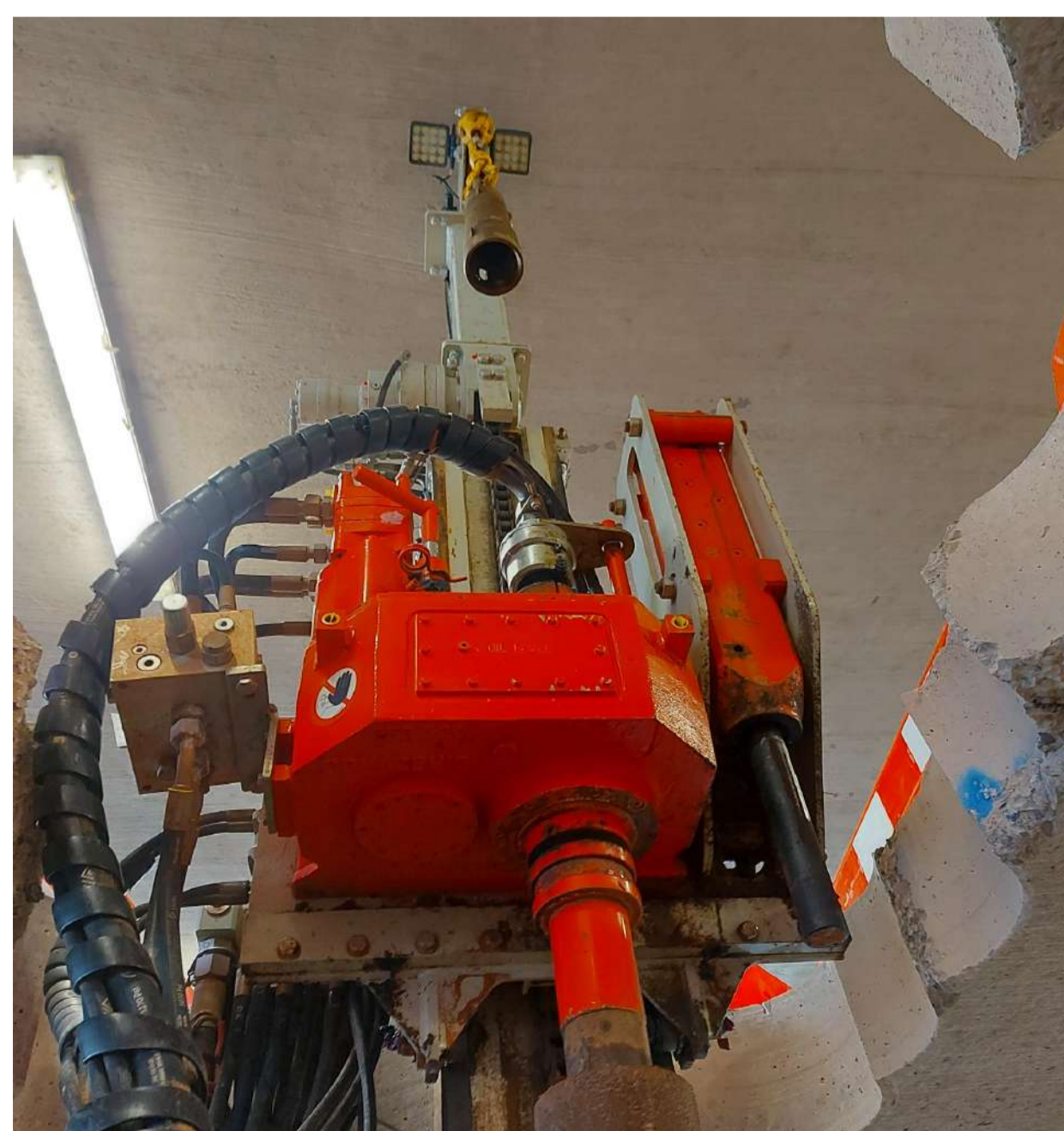
- Conventional rotary coring
- Rotary Open holing
- Dynamic sampling
- SPTs
- U100s and UT100s
- Hollow stem augers up to 200mm diameter
- Post-drilling wash down via fitted pressure washer

The GEO 205 is also capable of utilizing various flush types, including air, air mist, water, muds and polymers.

Comacchio Geo 205		
Total Weight		2600 kg
Dimensions In Transit Mode	Length	4700 mm
	Width (inc. cage)	1180 mm
Dimensions In Use/Erected	Height	3700 - 4670 mm
	Length (inc. cage)	3720 mm
	Width (inc. cage)	750 - 1180mm

Please note, dimensions are approximate and must be confirmed with ADS prior to use in calculations

Comacchio Geo 205



ADS DRILLING

01803 813351

Associated Drilling
Services
Hara, Dainton,
Newton Abbot,
Devon
TQ12 5TZ

LUKE (SOUTH WEST)
07860 775618

CONNOR (MIDLANDS)
07557 733421

www.adsdrilling.co.uk